

Replacement Parts — 115 Volt MIG WELDER GUN COMPONENTS — Suitable For:

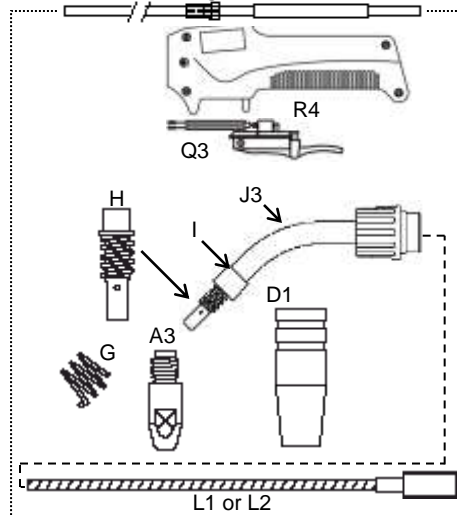
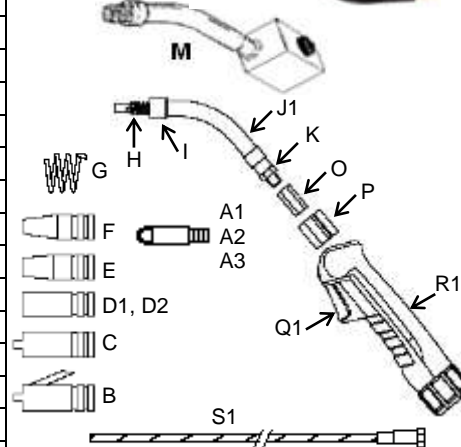
Auto MC 120® / Benchmark® / Dan MIG® / Pearson® / Astro® / SIP® / Binzel® / Chicago® / Century® / Solar® / Snap-On®

Scan for Current Price Page



CROSS REFERENCE PARTS LISTING

Ref. Designator	Order No	Price / Each	Description	OLD	NEW				
A-1	See Tweco Mini-Mig		Tip, Contact 11 Series 1/4"(All Sizes)	-	√	√	√	-	
A-2	14023	\$1.25	Tip, Contact, .023, 3/16" O.D.	√		↑	↑	-	
A-2	14030	\$1.25	Tip, Contact, .030, 3/16" O.D.	√	↑	↑	↑	-	
A-2	14035	\$1.25	Tip, Contact, .035, 3/16" O.D.	√	↑	↑	↑	-	
A-3	140-0005	\$1.75	Tip, Contact, .023, copper	-	-	-	-	√1	
A-3	140-0051	\$1.75	Tip, Contact, .030, copper	-	-	-	-	√1	
A-3	140-0169	\$1.75	Tip, Contact, .035, copper	-	-	-	-	√1	
A-3	141-0001	\$1.85	Tip, Contact, .030, (For Aluminum)	-	-	-	-	√1	
A-3	141-0004	\$1.85	Tip, Contact, .035, (For Aluminum)	-	-	-	-	√1	
B	15007	\$23.50	Nozzle, Stud Type	-	-	√	√	√	
C	145-0168	\$17.50	Nozzle, Spot Type	√	√	√	√	√	
D-1	145-0075	\$9.45	Nozzle, Conical 12mm	-	-	√	√	√	
D-2	04030	\$11.95	Nozzle	√	√	-	-	-	
E	15105	\$11.95	Nozzle, Conical	√	√	√	√	√	
F	145-0123	\$9.45	Nozzle, Small, Tapered, 9.5mm	√	√	√	√	√	
G	002-0058	\$2.78	Spring, Nozzle	√	√	√	√	√	
H	002-0078	\$9.95	Gas Diffuser	√	√	√	√	√	
I	002-0050	\$2.78	Insulator, Head	√	√	√	√	√	
J-1	002-0009	\$29.95	Neck, Swan, Goose, Fixed 50°	-	-	√	√	-	
J-2	15500	\$125.00	Neck, Swan, Goose, Flexible (for 14508)	-	-	√	√	-	
J-3	002-D244	\$35.00	Neck, Swan, Goose, 60° Fixed (incl. G,H&I)	-	-	-	-	√	
K	001-0009	\$2.78	Nut, Lock, M10 x 1	-	-	√	√	-	
L-1	S2435	\$8.50	Liner, Neck, Steel, .024-.035	-	-	-	-	√2	
L-2	B2440	\$8.50	Liner, Neck, Brass (for Aluminum)	-	-	-	-	√2	
N/S	MIG1-19	\$3.70	Spring, Swan Neck Liner	√	√	-	-	-	
M	MIG1-23	\$49.00	Neck, w/Push Button	√	√	-	-	-	
N	002-0077	\$8.95	Head Spacer	-	-	-	√	-	
O	400-0114	\$4.25	Brass Seat Body	-	-	√	√	-	
P	400-0044	\$5.95	Body, Torch, Plastic	-	-	√4	√	-	
Q-1	185-0005	\$8.73	Trigger Assembly, Switch	-	R1	√4	-	-	
Q-2	14009	\$16.50	Trigger Assembly, Switch	-	-	-	√	-	
Q-3	185-D028	\$8.95	Trigger Assembly, Switch	-	-	-	-	√4	
R-1	180-0039	\$69.00	Handles, Set- Includes Trigger Q1	-	√	-	-	-	
R-2	14008	\$45.00	Handles, Set	-	-	-	√	-	
R-3	14508	\$55.00	Handles, Set, (for 15500)	-	-	-	√	-	
R-4	180-D026	\$19.95	Handles, Set	-	-	√5	-	√2	
N/S	MIG1-24	\$25.90	Handles, Set	√	√	-	-	-	
S-1	124-0015	\$21.50	Liner, 17' .024 - .035, steel. (Blue)	-	-	√4	√	√	
S-2	124-9003	\$21.50	Liner, 17' .035 - .045, steel w/Teflon. (Red)	-	-	√4	√	√	



- Notes:**
1. Part also used for MB-25, MB-36 & Alpha 2
 2. Part also used for Alpha 2
 3. Uses Tweco 11 Series (1/4") Contact Tips
 4. Part also used for MB-25 & MB-36
 5. Part also used for Alpha 2, 3 & 4

N/S = Not Shown. Check mark (√) indicated MIG Gun that uses replacement part. Number in check box denotes a corresponding note.