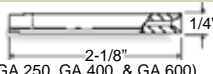
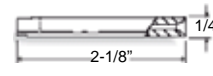
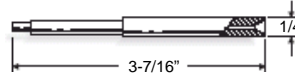

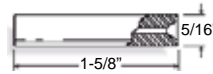
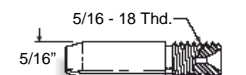
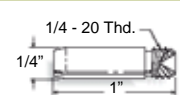
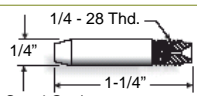
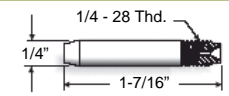
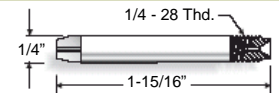
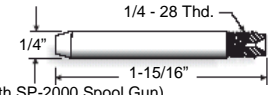
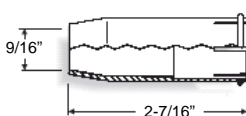
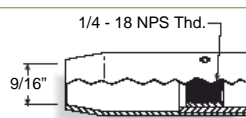
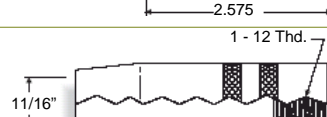
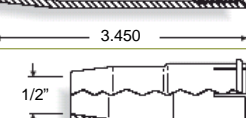
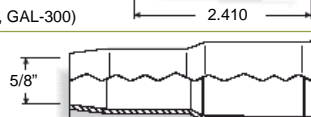
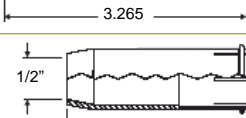
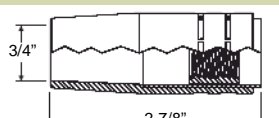
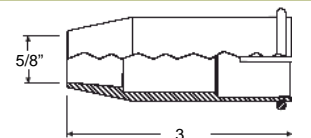
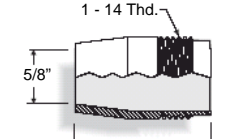
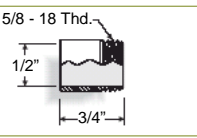
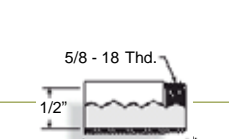
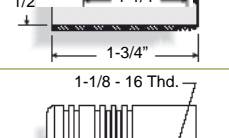
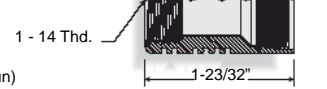


ORDER NO.	UNIT PRICE	DESCRIPTION	TIP I.D.	
PX377157	\$0.99 EA	Contact tip 1/16A	.078	 (Used with GA 250, GA 400, & GA 600)
PX377460	\$0.99 EA	Contact tip .030	.035	 (Used with GA 250, GA 400, & GA 600)
PX377461	\$0.99 EA	Contact tip .035	.040	
PX377462	\$0.99 EA	Contact tip .035	.044	
PX377463	\$0.99 EA	Contact tip .045	.052	
PX377464	\$0.99 EA	Contact tip .045	.057	
PX377465	\$0.99 EA	Contact tip .045	.062	
PX377467	\$4.64 EA	Contact tip .035	.040	 (Used with GA 250 & GA 400)
PX377468	\$4.64 EA	Contact tip .035	.044	
PX377469	\$4.64 EA	Contact tip .045	.062	
PX377476	\$9.99 EA	Contact tip .045	.052	 (Used with GA 250 & GA 400)
PX377477	\$9.99 EA	Contact tip .052	.059	
PX377478	\$9.99 EA	Contact tip 1/16"	.070	
PX377480	\$9.99 EA	Contact tip 1/16"	.081	
PX377481	\$9.99 EA	Contact tip 5/64"	.086	
PX377482	\$9.99 EA	Contact tip 3/32"	.109	
PX377483	\$9.99 EA	Contact tip 7/64"	.125	
PX377484	\$9.99 EA	Contact tip 1/8"	.136	
PX377500	\$9.99 EA	Contact tip 5/32"	.166	
PX378147	\$1.39 EA	Contact tip .035 H	.044	
PX377939	\$1.24 EA	Contact tip .045 H	.057	
PX377940	\$1.24 EA	Contact tip .052 H	.063	
PX377941	\$1.24 EA	Contact tip 1/16" H	.078	
PX377942	\$1.24 EA	Contact tip 5/64" H	.093	
PX377943	\$1.24 EA	Contact tip 3/32" H	.106	
PX377944	\$1.24 EA	Contact tip 7/64" H	.120	
PX377945	\$1.24 EA	Contact tip 1/8" H	.141	
PX378615	\$1.08 EA	Contact tip 1/16"	.081	 (Used with WCT-600 & SAT 600)
PX378616	\$1.08 EA	Contact tip 3/32"	.113	
PX378650	\$1.08 EA	Contact tip .045	.062	
PX378816	\$1.08 EA	Contact tip .052	.070	
PX177000	\$0.80 EA	Contact tip .045	.054	 (Used with WCT-600 & SAT 600)
PX379296	\$0.80 EA	Contact tip .045	.063	
PX379297	\$0.80 EA	Contact tip 3/32"	.110	
PX379298	\$0.80 EA	Contact tip 1/16"	.078	
PX379394	\$0.80 EA	Contact tip .035	.044	
PX379395	\$0.80 EA	Contact tip .052	.071	
PX379396	\$0.80 EA	Contact tip 5/64"	.093	
PX379397	\$0.80 EA	Contact tip 7/64"	.136	

ORDER NO.	UNIT PRICE	DESCRIPTION	TIP I.D.	CONTACT TIPS
PX379304	\$0.70 EA	Contact tip .030	.040	 (Used with Piecemaker 14A/25A, GAL-24, 200 & 300)
PX379314	\$0.70 EA	Contact tip .035	.044	
PX379315	\$0.70 EA	Contact tip .045	.054	
PX379317	\$0.70 EA	Contact tip .045	.059	
PX379357	\$0.70 EA	Contact tip .052	.073	
PX379587	\$0.70 EA	Contact tip .024	.031	
PX379649	\$0.70 EA	Contact tip 1/16"	.090	
PX407839-2	\$1.65 EA	Short tip .030	.038	 (Used with SP-2000 Spool Gun)
PX407839-5	\$1.65 EA	Short tip .035	.044	
PX407839-8	\$1.65 EA	Short tip .045	.054	
PX407839-1	\$1.65 EA	Contact tip .030	.038	 (Used with SP-2000 Spool Gun)
PX407839-4	\$1.65 EA	Contact tip .035	.044	
PX407839-7	\$1.65 EA	Contact tip .045	.054	
PX407727	\$3.27 EA	Notched tip .030	.044	 (Used with SP-2000 Spool Gun)
PX407728	\$3.27 EA	Notched tip .035	.050	
PX407729	\$3.27 EA	Notched tip 3/64"	.064	
PX407730	\$2.45 EA	Long tip .030	.038	 (Used with SP-2000 Spool Gun)
PX407731	\$2.45 EA	Long tip .035	.044	
PX407732	\$2.45 EA	Long tip .045	.054	

ORDER NO.	UNIT PRICE	DESCRIPTION	NOZZLES
PX379300	\$6.59 EA	Nozzle 9/16"	 (Used with Piecemaker 25A, GA-200 & 300)
PX379449	\$12.88 EA	Nozzle 9/16"	 (Used with Piecemaker 25A, GA-200 & 300)
PX379450	\$9.81 EA	Nozzle 11/16"	 (Used with GAL-500)
PX379612	\$7.00 EA	Slim nozzle 1/2"	 (Used with Piecemaker 25A, GAL-300)
PX379645	\$5.00 EA	Nozzle 5/8"	 (Used with GAL-45)
PX379718	\$6.59 EA	Nozzle 1/2"	 (Used with Piecemaker 14A, GAL-24 & GAL 100)

ORDER NO.	UNIT PRICE	DESCRIPTION	NOZZLES
PX379925	\$19.50 EA	H.D. Nozzle 3/4"	 (Used with ACT-450/WCT-500)
PX379981	\$19.50 EA	Nozzle 5/8"	 (Used with ACT-450/WCT-500)
PX407741	\$7.13 EA	Standard nozzle 5/8"	 (Used with SP-2000 Spool Gun)
PX407841-1	\$7.00 EA	Fixed nozzle 1/2"	 (Used with SP-2000 Spool Gun)
PX407841-2	\$8.20 EA	Fixed long nozzle 1/2"	 (Used with SP-2000 Spool Gun)
PX407841-3	\$7.10 EA	Fixed extra long nozzle 1/2"	 (Used with SP-2000 Spool Gun)
PX407842-1	\$17.47 EA	Standard nozzle body	 (Used with SP-2000 Spool Gun)

PROFAX is in no way affiliated with HOBART. The parts advertised for sale are not genuine HOBART parts, but are parts made for and by PROFAX. References to HOBART machines, torches and numbers are for your convenience only. We reserve the right to substitute genuine HOBART parts in place of PROFAX parts.