

Scan for Current Price Page

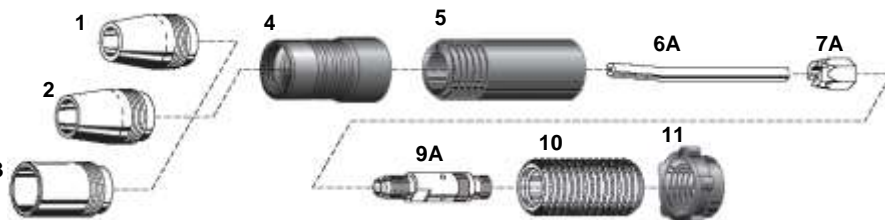


XR15 , XR30 and Spoolmatic 1, 2, and 3 XRA 15, 30A, Spoolmatic 30A and Spoolmate 185 Gun

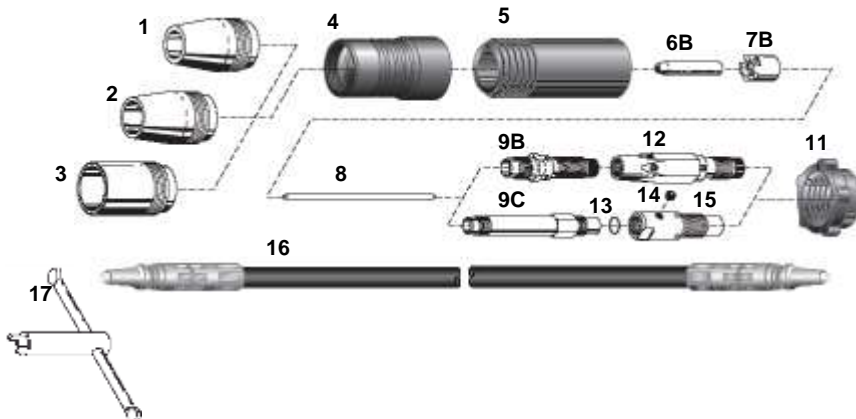
Replacement Parts Suitable For: Miller Electric Mfg.

KEY No.	Order No.	Unit Price	Description	I.D.
1.	PX050-115	\$8.42 EA	Nozzle 1/2"	
2.	PX050-622	\$8.43 EA	Nozzle 5/8"	
3.	PX050-116	\$8.42 EA	Nozzle 13/16"	
4.	PX144-862	\$29.00 EA	Nozzle extension (PX053-784)	
5.	PX156-821	\$16.28 EA	Barrel extension (PX053-785)	
6A.	PX050-637	\$1.78 EA	Contact tip 1/16"	.078
	PX050-638	\$1.78 EA	Contact tip .030	.040
	PX094-259	\$1.78 EA	Contact tip .035	.054
	PX094-260	\$1.78 EA	Contact tip 3/64"	.064
	PX050-626	\$1.92 EA	Contact Tip .030-3/64	
6B.	PX135-044	\$1.78 EA	Contact tube .035 (S)	.044
	PX135-424	\$1.84 EA	Contact tube .047 (A)	.059
	PX135-425	\$1.84 EA	Contact tube .062 (A)	.078
	PX135-426	\$1.84 EA	Contact tube .062 (S)	.073
	PX135-427	\$1.84 EA	Contact tube .030 (S)	.035
	PX135-428	\$1.84 EA	Contact tube .030 (A)	.040
	PX135-429	\$1.84 EA	Contact tube .047 (S)	.054
	PX135-430	\$1.84 EA	Contact tube .035 (A)	.050
	PX136-171	\$1.84 EA	Contact tube .025 (S)	.031
	PX147-314	\$1.84 EA	Contact tube .035 (S)	.040
7A.	PX058-676	\$8.21 EA	Nut, brass compression	
7B.	PX136-748	\$6.51 EA	Compression nut	
8.	PX136-682	\$7.50 EA	Teflon liner .023-.035 wire sizes	
	PX136-683	\$7.50 EA	Teflon liner .045-1/16" wire sizes	
9A.	PX058-678	\$27.30 EA	Adapter contact tip	
9B.	PX136-680	\$31.11 EA	Adapter, contact tube (Use prior to s/n KD-432881)	
9C.	PX164-421	\$19.92 EA	Adapter, contact tube	
10.	PX009-541	\$29.92 EA	Adapter, barrel	
11.	PX058-685	\$11.27 EA	Nozzle extension jam nut	
12.	PX136-681	\$44.80 EA	Tube, head (Use prior to s/n KD-432881)	
13.	PX164-485	\$1.41 EA	O-ring	
14.	PX604-612	\$1.41 EA	Set screw 8-32 x .125 cup point	
15.	PX164-422	\$29.07 EA	Tube, head	
16.	PX112-715	\$107.37 EA	192" conduit for Miller 30A, XR®	
	PX112-716	\$200.45 EA	372" conduit for Miller 30A, XR	
17.	PX136-821	\$16.45 EA	Contact tube nut wrench	

XR15 , XR30 and Spoolmatic 1, 2, and 3

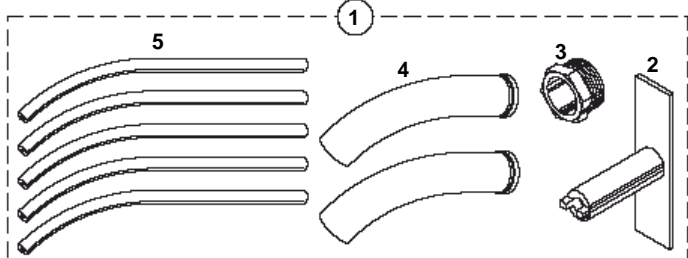


XRA 15, 30A and Spoolmatic 30A



Curved nozzle kit

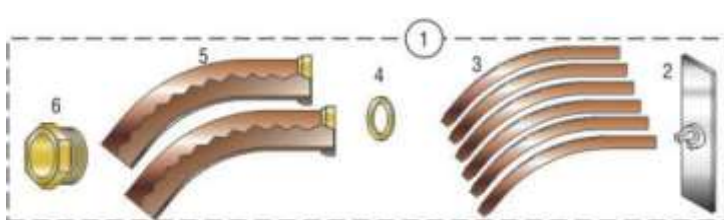
Used with XR15™ , XR30 and Spoolmatic 1, 2, and 3
(Used with PX144-862 nozzle extension)



KEY No.	Order No.	Unit Price	Description	I.D.
1.	PX119-171	\$71.35 EA	Curved nozzle kit .030-.035 (contains the following)	
2.	PX005-415	\$31.74 EA	Wrench (contains the following)	
3.	PX005-417	\$7.07 EA	Nut, retaining nozzle	
4.	PX005-432	\$13.21 EA	Curved nozzle w/retaining ring (2)	
5.	PX143-371	\$5.00 EA	Bent contact tip .030-.035 (PX119-349)	.044
Optional Size Tips (not included in Kit)				
	PX050-104	\$5.00 EA	Bent Contact Tip 3/64"	.078
	PX050-105	\$5.00 EA	Bent Contact Tip 1/16"	.109

Curved nozzle kit

Used with XRA™ 15, 30A and Spoolmatic 30A



KEY No.	Order No.	Unit Price	Description	I.D.
1.	PX147-174	\$85.64 EA	Curved nozzle kit (contains the following)	
2.	PX148-151	\$32.24 EA	Wrench	
3.	PX148-155	\$4.21 EA	Bent contact tip .030-.035 (2)	.054
	PX148-154	\$4.21 EA	Bent contact tip 3/64" (2)	.078
	PX148-156	\$4.21 EA	Bent contact tip 1/16" (2)	.109
4.	PX148-157	\$1.41 EA	Washer	
5.	PX005-432	\$13.21 EA	Curved nozzle w/retaining ring (2)	.650
6.	PX005-417	\$7.07 EA	Nut, retaining nozzle	

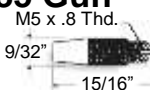
NOZZLE for Spoolmate 185 Gun

PX186-405 \$5.00 EA Nozzle 1/2"



CONTACT TIPS for Spoolmate 185 Gun

PX186-406 \$1.71 EA Contact tip, .035, .044 I.D.
PX186-419 \$1.71 EA Contact tip, .030, .038 I.D.



SIWS is in no way affiliated with manufacturers of these parts. The parts advertised for sale are not genuine Miller Electric Mfg. Co.® parts. References to Miller Electric Mfg. Co.® machines, torches and numbers are for your convenience only. We reserve the right to substitute genuine Miller Electric Mfg. Co.® parts WELDING PRODUCTS parts in place of parts produced by any of the foregoing companies.