

# New Portable Shear

IRONWORKERS ← → Punch & Die Selection

Introducing The Only Portable 20 Ton Machine In Its Class. And it also includes a Bar Shear, Angle Shear, Punch Station and Press Brake Attachment!

**#PSH-4**  
**\$3,125.00**  
 PUMP SOLD SEPARATELY

This is just what you've been looking for. A portable yet powerful machine that can help you get a multitude of jobs done on the fly. Go from one operation to another in minutes! And best of all, the price is right, too.



- Will operate from any 10,000 psi hydraulic power source (priced separately)
- 3/8" female coupler attached
- Weighs just 65 pounds for maximum portability
- Punches 13/16 hole through 1/4" material
- Can be mounted on workbench or cart for production jobs
- Bar shear handles flat bar stock 1/4" x 6"
- Handles pipe notching up to 2" schedule 40
- Can shear angle iron up to 1/4" x 2" x 2"
- Press brake handles flat bar stock up to 1/4" x 6"
- One year warranty against manufacturing defects



Optional pipe notching attachment available call

## CLEVELAND STEEL TOOL ELECTRIC HYDRAULIC PUMP

(Not Illustrated)

FOOT CONTROLLED #EHP-F  
 HAND CONTROLLED #EHP-H  
**\$2,495.00 EA** (either)

## SPECIFICATIONS

- Motor Size: 1/2 HP, 115 volt;
- Delivery @ 10,000 psi: 16 Cu. In./M;
- Oil Capacity 295 Cu. In.;
- Weight: 45 Lbs.;
- Dimensions: 11-3/8 x 9-1/4 x 18-1/2
- Available with hand held or foot remote control.
- Can be plugged into any 110 volt grounded outlet.
- Includes 10' wire wound high pressure hose with couplers.
- Attached 3/8" high pressure screw type coupler.
- 2-stage pump with automatic dump valve.
- Will start under full load.

**USE FOR: PORTABLE SHEAR & 35-TON PORTABLE PUNCH**

## 35-TON PORTABLE HYDRAULIC PUNCH

### SPECIFICATIONS

Throat Opening: 2.75"  
 Dimensions: 13-1/4" x 7-1/2" x 3-3/4"  
 Weight: 31 Lbs.  
 Punching Capacity: 13/16" round hole through 1/2" thick mild steel maximum

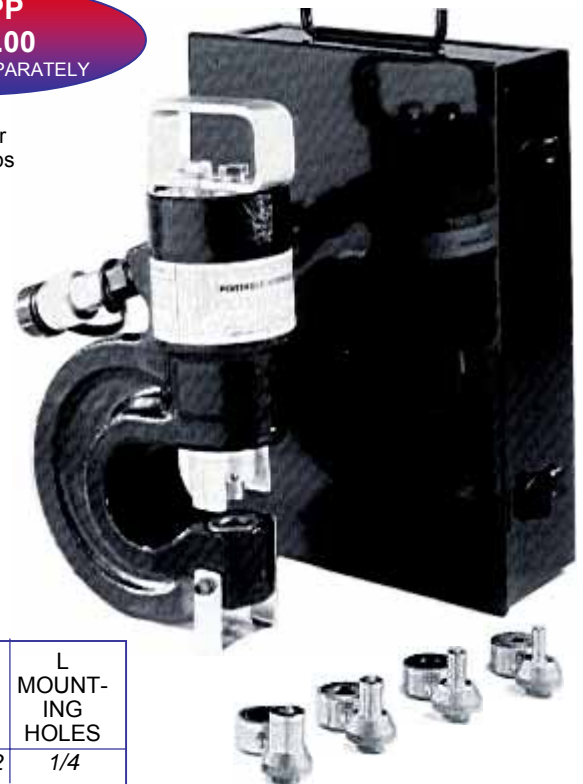
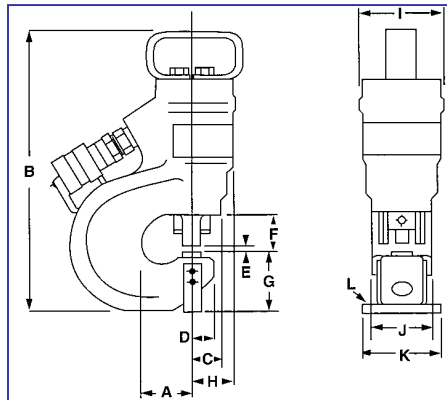
### FEATURES

- Will operate from any 10,000 psi hydraulic source (Cleveland Steel Tool Electric Hydraulic Pump, is available).
- Comes in a metal carrying case.
- Can punch round, oblong, square, hex and rectangular holes.
- Shaped punches and dies available . (4 common sets included)
- Can be mounted to a workbench for production jobs.
- 3/8" female coupler attached.
- Three-year warranty against manufacturing defects.

**NOW YOU CAN PUNCH UP TO 13/16" ROUND AND 9/16" SQUARE HOLES IN 1/2" THICK MILD STEEL ON THE SPOT!**

**#35TPP**  
**\$2,490.00**  
 PUMP SOLD SEPARATELY

The C-frame is forged, not cast, for greater durability and strength. The dual-action stripper holds the material being punched and then strips the material from the punch so you're ready to punch the next hole.



A	B	C	D	E	F	G	H	I	J	K	L
MAX THROAT DEPTH											MOUNTING HOLES
2 3/4	13 3/4	1 1/2	15/16	9/16	2 1/8	2 7/8	1 13/16	3 3/4	3 1/16	3 1/2	1/4