

# LAYOUT TOOLS and MARKERS



**CONTRACTOR GRADE**  
U.S. Patent Awarded others pending

**CUSHION**

**PUSH RETRACT** (Do not push blade back by hand)

**PUSH LOCK** (Locks blade in place)

**AUTO LOCK FUNCTION**  
OLYMPIA TOOLS

**25F 300**

**10 24F11 18 299**

**E-Z READ PRO**

**PINKY GROOVE CUSHION**  
(Rubber keeps tape from sliding off flat surface)

**Built-in pencil slot for Drawing lines & circles**

**Recessed belt clip**  
For comfort & left hand use

**Stud marking**  
Every 16"

**Truss marking**  
Every 19.2"

**Foot & inch markings**

**1/8" graduations**  
throughout the tape

**Nail slot for drawing around a nail**

**String and wire groove**

**E-Z READ Neon**

**NEON 1" x 25' TAPE MEASURES**

**\$7.25 EA** 43-127 neon yellow  
All Colors

43-129 neon orange

43-128 neon green

**Professional Quality**

---

**100 ft Fiberglass Tape Measure**

**Graduations: 1/8" on one side; 1/10' & 1/100' on other side**

**\$23.94 EA** 43-899

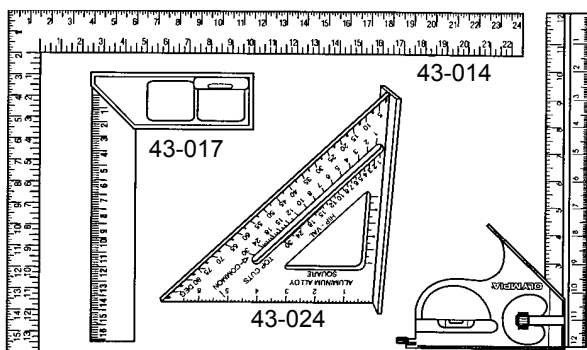
**#43-155**  
**\$11.90 EA**  
**1" x 25'**

**OLYMPIA - TOOLS®**

**"AUTOSTOP"**  
Automatically stops blade after Each pull

**E-Z READ PRO TAPE MEASURE**

## LEVEL/RULES/SQUARES/TORPEDO LEVEL



Part No.	Description	Price
MT001211	12" Combination Square, SAE/Metric	\$15.95 EA
43-012	8 x 12" Metal Square, SAE/Metric	\$5.95 EA
43-014	16 x 24" Metal Rafter, "Carpenter's", Square, SAE/Metric	\$11.90 EA
43-017	7" Tray & Mitre Square, SAE/Metric (N/S)	\$7.25 EA
43-022	12" Combination Square, SAE/Metric	\$5.95 EA
43-024	7" Triangle Square, Aluminum Zinc Die Cast, SAE/Metric	\$6.99 EA

43-012 (not shown) is similar to 43-014

MT001211 Combo Square/Protractor

## ALUMINUM MAGNETIC EMPIRE (UNITEK™) LEVELS

**LINE LEVEL**  
No. 83-3  
**\$2.99 EA**

**POCKET LEVEL**  
No. 84-5  
**\$3.50 EA**

**HANSON HEXAGONAL PLUMB BOB**  
No. 13125  
12 oz.  
**\$12.50 EA**

- For determining true vertical
- Nickel-plated steel with accurately turned points
- Center cavity-cap for holding cord ensures positive centering

**Torpedo 3/Vial**

**I-Beam**

Part No.	Size/Type	Vial Code	Price
581-9	9" Torpedo	-	\$8.90 EA
581-24	24" I-Beam	VI	\$18.77 EA
581-36	36" I-Beam	IV	\$26.19 EA
581-48	48" I-Beam	IV	\$33.60 EA