

PipeMaster

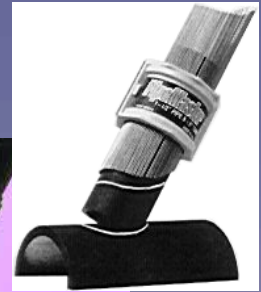
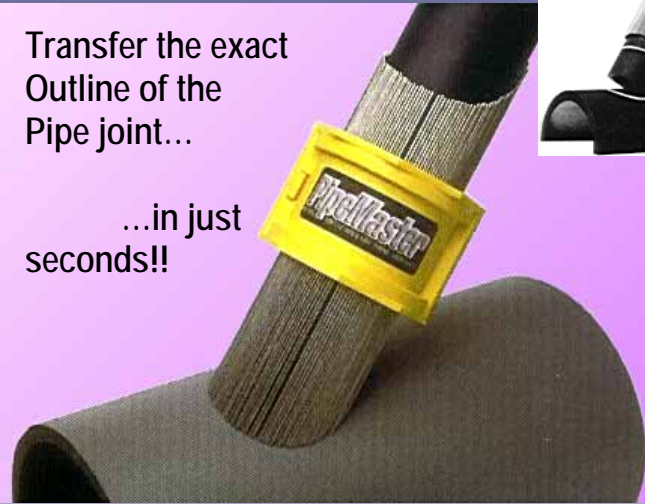
The Welder's Tool for Contour Fits



- Spring Temper Stainless Steel Pins
- 6063 Aluminum Inner Shell
- Rugged ABS Housing

Transfer the exact Outline of the Pipe joint...

...in just seconds!!



Exact fit for all shapes – *at any angle!* use for penetration cuts as well.



PIPEMASTER – Accurate fits in 4 easy steps!

1. Slip over pipe



2. Push down



3. Transfer & Cut



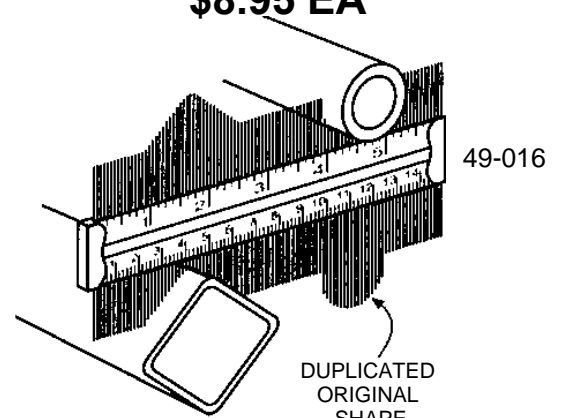
4. Ready to weld



PART NUMBER	U.S. NOMINAL, PIPE	U.S. NOMINAL TUBING	PRICE
P-100	1"	1-5/16"	\$40.00 EA
P-125	1-1/4"	1-5/8"	\$45.00 EA
P-150	1-1/2"	1-7/8"	\$49.00 EA
P-200	2"	2-3/8"	\$54.00 EA
P-250	2-1/2"	2-7/8"	\$62.00 EA
P-300	3"	3.5"	\$85.00 EA
P-350	3-1/2"	4"	\$104.00 EA
P-400	4"	4-1/2"	\$135.00 EA
P-500	5"	5-9/16"	\$166.40 EA
P-600	6"	6-5/8"	\$182.20 EA
P-T100		1"	\$40.00 EA
P-T125		1-1/4"	\$44.00 EA
P-T150		1-1/2"	\$48.00 EA
P-T175		1-3/4"	\$51.50 EA
P-T200		2"	\$48.00 EA
P-1KIT	Includes: P-100, P-125, P-150, & P-200 Rigid plastic case w/foam insert		\$225.00 Kit EA
P-T1KIT	P-T100, P-T125, P-T150, & P-T200 Rigid plastic case w/ foam insert		\$215.50 Kit EA

CONTOUR GAUGE 6"

\$8.95 EA



6" Contour Gauge, Nickel Plated Steel Body & Wires

49-016